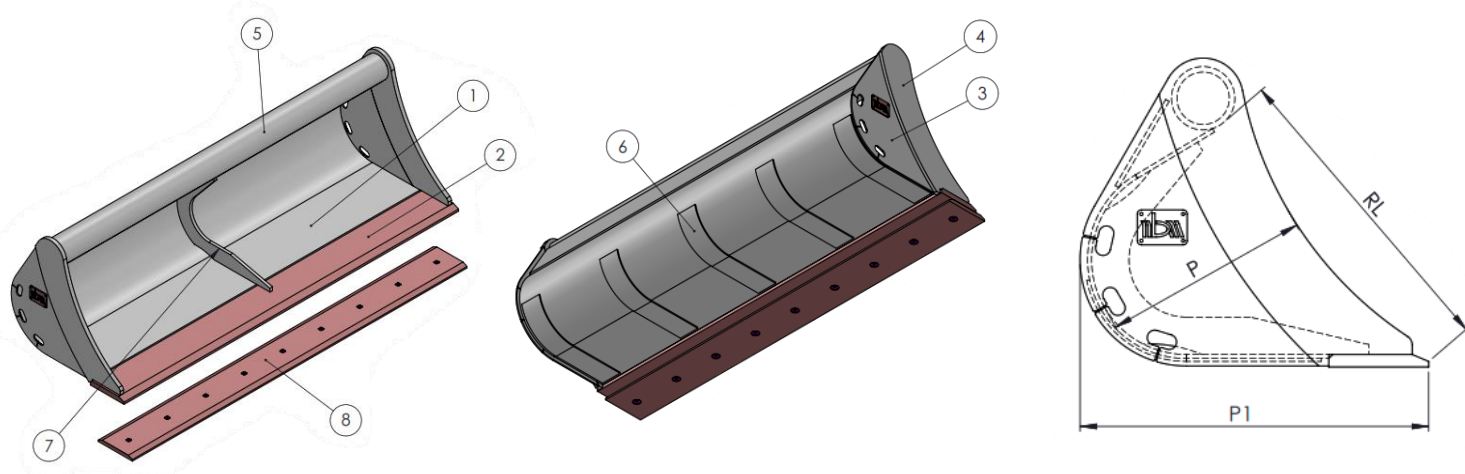




DITCH CLEANING BUCKET

BENNA PULIZIA FOSSI - GODET CURAGE INCLINABLE



MATERIAL - MATERIALE - MATÉRIEL  THICKNESS (MM) - SPESSORE (MM) - ÉPAISSEUR (MM)

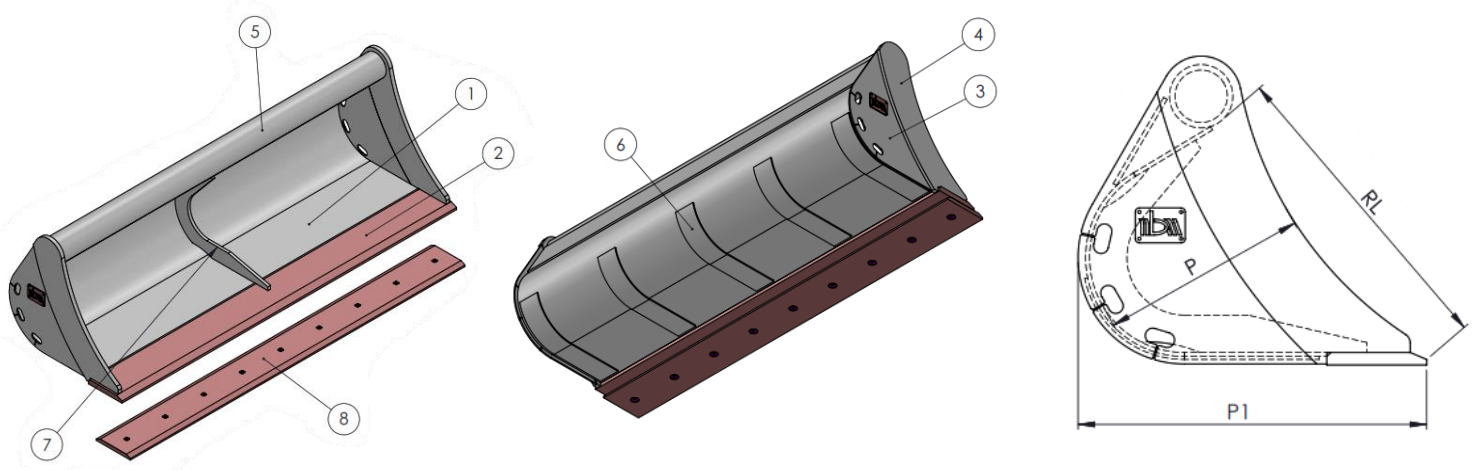
	1	2	3	4	5	6	V	8 - OPTION
	S355J0	HB400	S355J0	S355J0	S355J0	S355J0	S355J0	HB400
	8	20	6	20	Ø114X12	6	15	203X19

NB 08 CLASS PF 10,1 - 12,5 TONS

CODE CODICE	WIDTH (MM) LARGHEZZA (MM)	MASS (KC) MASSA (KG)	CAP SAE (L) CAP SAE (L)	RL (mm)	P (mm)	P1 (MM)
NB08PF1400	1400	234	348	595	400	660
NB08PF1500	1500	245	376			
NB08PF1600	1600	256	404			
NB08PF1700	1700	268	433			
NB08PF1800	1800	279	461			
NB08PF2000	2000	302	517			
NB08PF2200	2200	325	573			

EXCAVATORS - ESCAVATORI - PELLES

DITCH CLEANING BUCKET - BENNA PULIZIA FOSSI - GODET CURAGE INCLINABLE



▣ MATERIAL - MATERIALE - MATÉRIEL
 ▣ THICKNESS (MM) - SPESSORE (MM) - ÉPAISSEUR (MM)

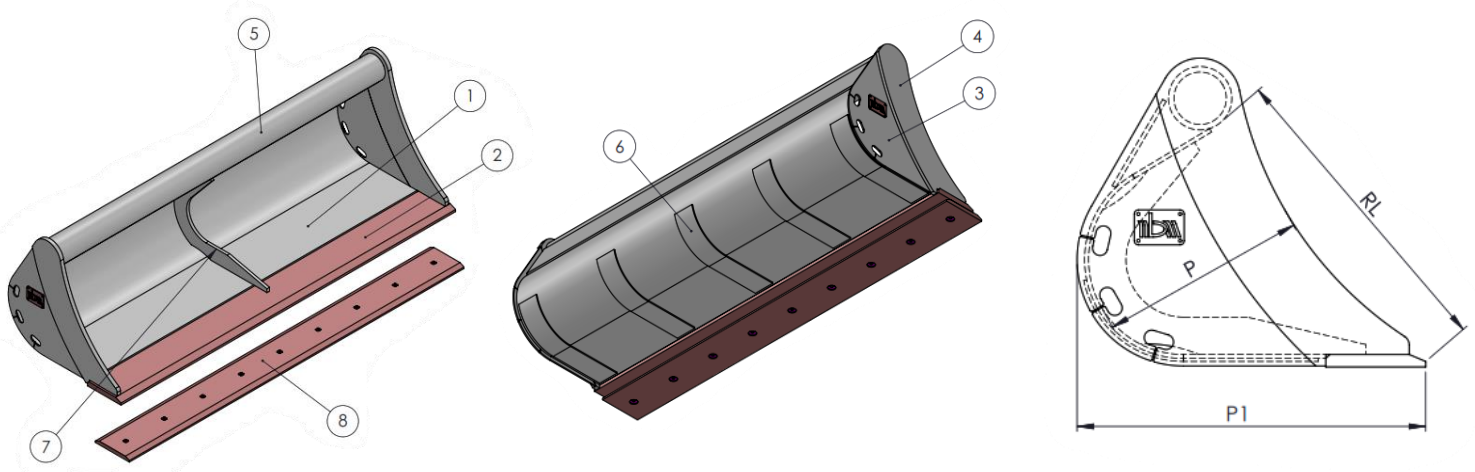
	1	2	3	4	5	6	V	8 - OPTION
▣	S355J0	HB400	S355J0	S355J0	S355J0	S355J0	S355J0	HB400
▣	8	200X25	6	20	Ø127X11	6	15	203X19

NB 09 CLASS PF 12,6 - 16 TONS

CODE CODICE	WIDTH (MM) LARGHEZZA (MM)	MASS (KC) MASSA (KG)	CAP SAE (L) CAP SAE (L)	RL (mm)	P (mm)	P1 (MM)
NB09PF1600	1600	337	466	630	440	698
NB09PF1700	1700	352	498			
NB09PF1800	1800	367	531			
NB09PF1900	1900	382	563			
NB09PF2000	2000	397	595			
NB09PF2100	2100	412	628			
NB09PF2200	2200	427	660			

EXCAVATORS - ESCAVATORI - PELLE

DITCH CLEANING BUCKET - BENNA PULIZIA FOSSI - GODET CURAGE INCLINABLE



MATERIAL - MATERIALE - MATÉRIEL THICKNESS (MM) - SPESSORE (MM) - ÉPAISSEUR (MM)

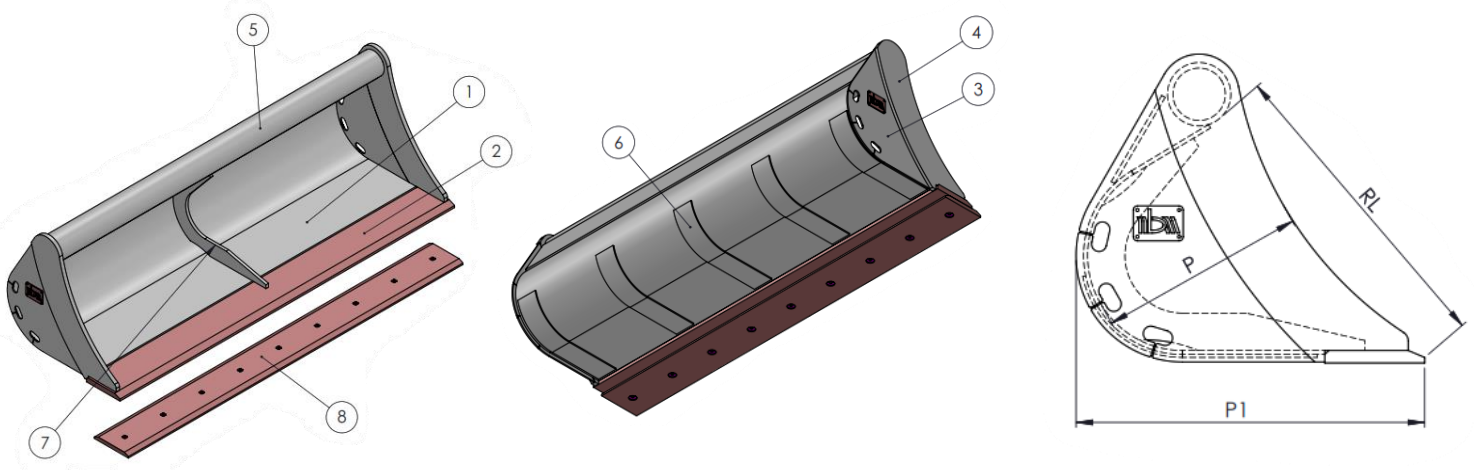
	1	2	3	4	5	6	V	8 - OPTION
	S355J0	HB400	S355J0	S355J0	S355J0	S355J0	S355J0	HB400
	8	200X25	6	20	Ø127X14	8	20	203X19

NB 10 CLASS PF 16,1 - 19 TONS

CODE CODICE	WIDTH (MM) LARGHEZZA (MM)	MASS (KC) MASSA (KG)	CAP SAE (L) CAP SAE (L)	RL (mm)	P (mm)	P1 (MM)
NB10PF1600	1600	356	531	713	488	743
NB10PF1700	1700	372	568			
NB10PF1800	1800	388	605			
NB10PF1900	1900	404	643			
NB10PF2000	2000	420	680			
NB10PF2100	2100	436	717			
NB10PF2200	2200	466	754			

EXCAVATORS - ESCAVATORI - PELLE

DITCH CLEANING BUCKET - BENNA PULIZIA FOSSI - GODET CURAGE INCLINABLE



MATERIAL - MATERIALE - MATÉRIEL **THICKNESS (MM)** - SPESSORE (MM) - ÉPAISSEUR (MM)

	1	2	3	4	5	6	V	8 - OPTION
MATERIAL	S355J0	HB400	S355J0	S355J0	S355J0	S355J0	S355J0	HB400
THICKNESS (MM)	8	25	6	20	Ø127X14	8	20	203X19

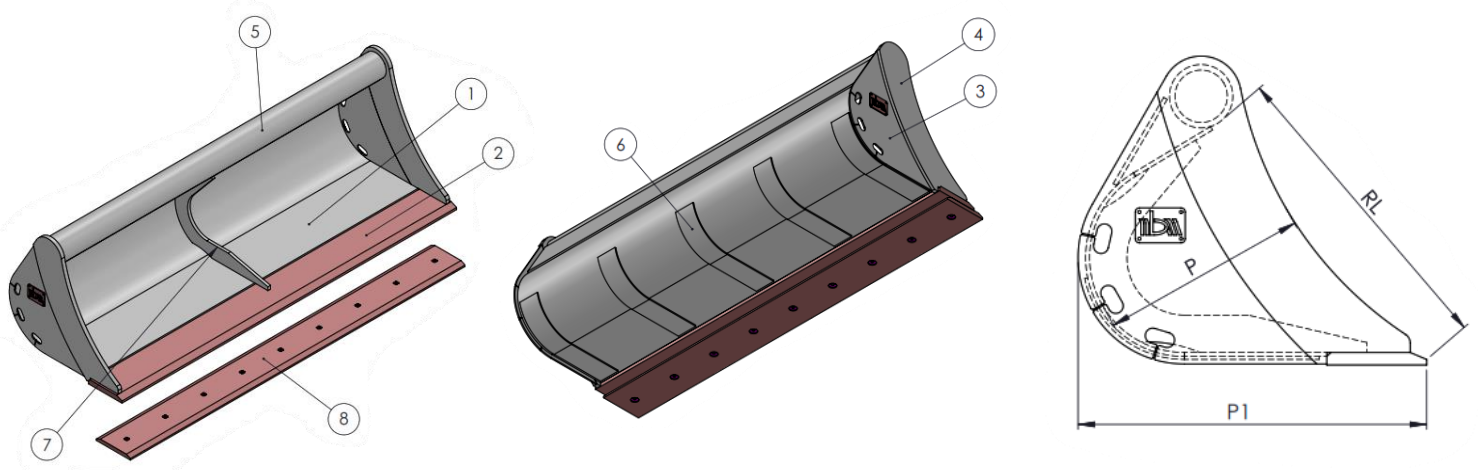
NB 11 CLASS PF

19,1 - 23 TONS

CODE CODICE	WIDTH (MM) LARGHEZZA (MM)	MASS (KC) MASSA (KG)	CAP SAE (L) CAP SAE (L)	RL (mm)	P (mm)	P1 (MM)
NB11PF1600	1600	380	614	756	525	784
NB11PF1700	1700	396	657			
NB11PF1800	1800	413	701			
NB11PF1900	1900	429	744			
NB11PF2000	2000	446	788			
NB11PF2100	2100	462	831			
NB11PF2200	2200	495	874			

EXCAVATORS - ESCAVATORI - PELLE

DITCH CLEANING BUCKET - BENNA PULIZIA FOSSI - GODET CURAGE INCLINABLE



▣ MATERIAL - MATERIALE - MATÉRIEL
 ▣ THICKNESS (MM) - SPESSORE (MM) - ÉPAISSEUR (MM)

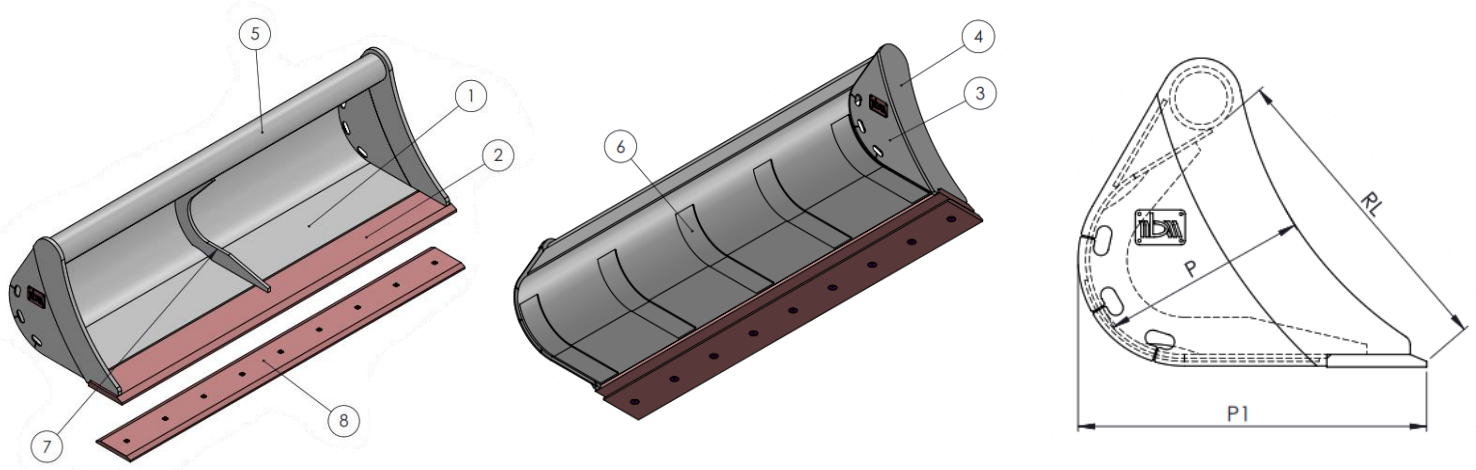
	1	2	3	4	5	6	V	8 - OPTION
▣	S355J0	HB400	S355J0	S355J0	S355J0	S355J0	S355J0	HB400
▣	10	30	8	25	Ø151X12,5	8	25	25

NB 12 CLASS PF 23,1 - 26 TONS

CODE CODICE	WIDTH (MM) LARGHEZZA (MM)	MASS (KC) MASSA (KG)	CAP SAE (L) CAP SAE (L)	RL (mm)	P (mm)	P1 (MM)
NB12PF1800	1800	587	815	840	550	880
NB12PF1900	1900	611	865			
NB12PF2000	2000	631	916			
NB12PF2100	2100	660	970			
NB12PF2200	2200	705	1020			
NB12PF2300	2300	729	1075			
NB12PF2400	2400	753	1128			
NB12PF2500	2500	778	1178			

EXCAVATORS - ESCAVATORI - PELLE

DITCH CLEANING BUCKET - BENNA PULIZIA FOSSI - GODET CURAGE INCLINABLE



MATERIAL - MATERIALE - MATÉRIEL THICKNESS (MM) - SPESSORE (MM) - ÉPAISSEUR (MM)

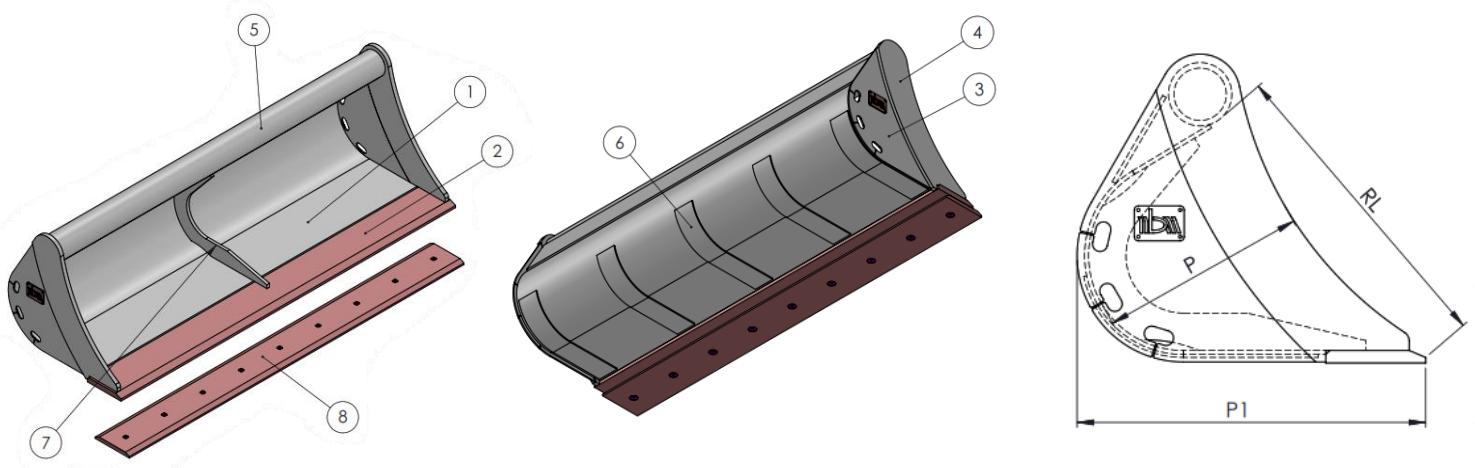
	1	2	3	4	5	6	V	8 - OPTION
	S355J0	HB400	S355J0	S355J0	S355J0	S355J0	S355J0	HB400
	10	30	10	25	Ø159X20	10	25	25

NB 13 CLASS PF 26,1 - 31 TONS

CODE CODICE	WIDTH (MM) LARGHEZZA (MM)	MASS (KC) MASSA (KG)	CAP SAE (L) CAP SAE (L)	RL (mm)	P (mm)	P1 (MM)
NB13PF1800	1800	754	992	860	612	963
NB13PF1900	1900	782	1055			
NB13PF2000	2000	810	1118			
NB13PF2100	2100	838	1181			
NB13PF2200	2200	890	1244			
NB13PF2300	2300	918	1307			
NB13PF2400	2400	946	1370			
NB13PF2500	2500	974	1433			

EXCAVATORS - ESCAVATORI - PELLE

DITCH CLEANING BUCKET - BENNA PULIZIA FOSSI - GODET CURAGE INCLINABLE



▣ MATERIAL - MATERIALE - MATÉRIEL
 ▣ THICKNESS (MM) - SPESSORE (MM) - ÉPAISSEUR (MM)

	1	2	3	4	5	6	V	8 - OPTION
▣	S355J0	HB400	S355J0	S355J0	S355J0	S355J0	S355J0	HB400
▣	10	30	10	30	Ø178X20	10	25	25

NB 15 CLASS PF 31,1 - 43 TONS

CODE CODICE	WIDTH (MM) LARGHEZZA (MM)	MASS (KC) MASSA (KG)	CAP SAE (L) CAP SAE (L)	RL (mm)	P (mm)	P1 (MM)
NB15PF2000	2000	924	1330	950	650	1055
NB15PF2100	2100	957	1405			
NB15PF2200	2200	1018	1481			
NB15PF2300	2300	1051	1556			
NB15PF2400	2400	1084	1632			
NB15PF2500	2500	1117	1707			
NB15PF2600	2600	1150	1783			