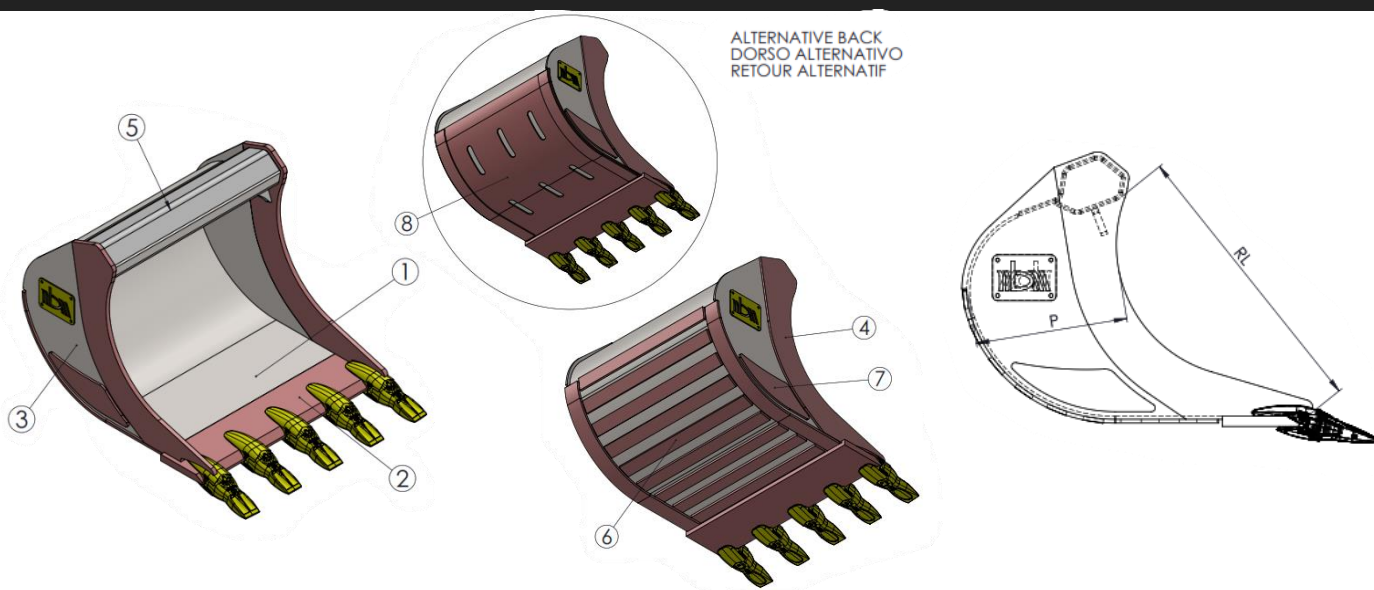


ROCK BUCKET

BENNA ROCCIA - GODET ROCHER



ALTERNATIVE BACK
DORSO ALTERNATIVO
RETOUR ALTERNATIF

MATERIAL - MATERIALE - MATÉRIEL THICKNESS (MM) - SPESSORE (MM) - ÉPAISSEUR (MM) TOOTH - DENTE - DENT

1	2	3	4	5	6	V	8
S355J0	HB400	S355J0	HB400	S355J0	HB400	HB400	HB400
12	40	12	25	15	15	12	10

CAT J350 - ESCO U35 - FEURST FK7 - COMBI R14

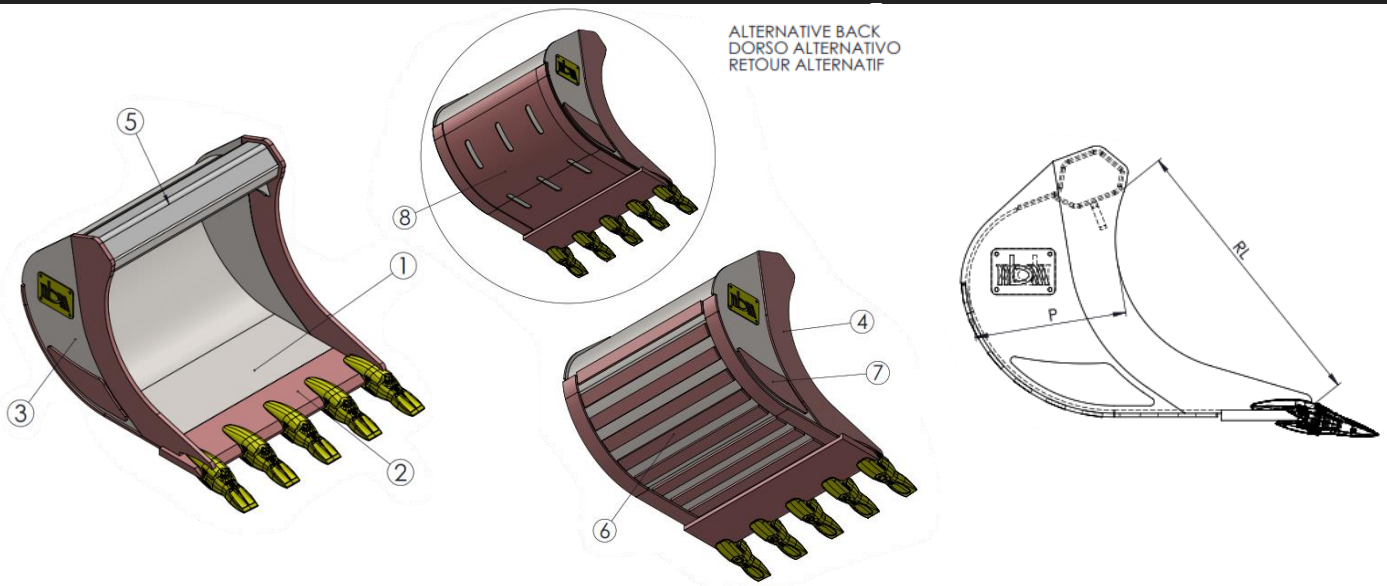
NB 11 CLASS RK

19,1 - 23 TONS

CODE CODICE	WIDTH (MM) LARGHEZZA (MM)	TEETH NR NR DENTI	MASS (KC) MASSA (KG)	CAP SAE (L) CAP SAE (L)	RL (mm)	P (mm)
NB11RK500	500	3	532	279	1170	550
NB11RK600	600	3	581	357		
NB11RK700	700	3	616	436		
NB11RK800	800	4	709	535		
NB11RK1000	1000	4	808	704		
NB11RK1200	1200	5	901	882		
NB11RK1300	1300	5	970	971		

EXCAVATORS - ESCAVATORI - PELLE

ROCK BUCKET - BENNA ROCCIA - GODET ROCHER



ALTERNATIVE BACK
DORSO ALTERNATIVO
RETOUR ALTERNATIF

■ MATERIAL - MATERIALE - MATÉRIEL
 ■ THICKNESS (MM) - SPESSORE (MM) - ÉPAISSEUR (MM)
 ■ TOOTH - DENTE - DENT

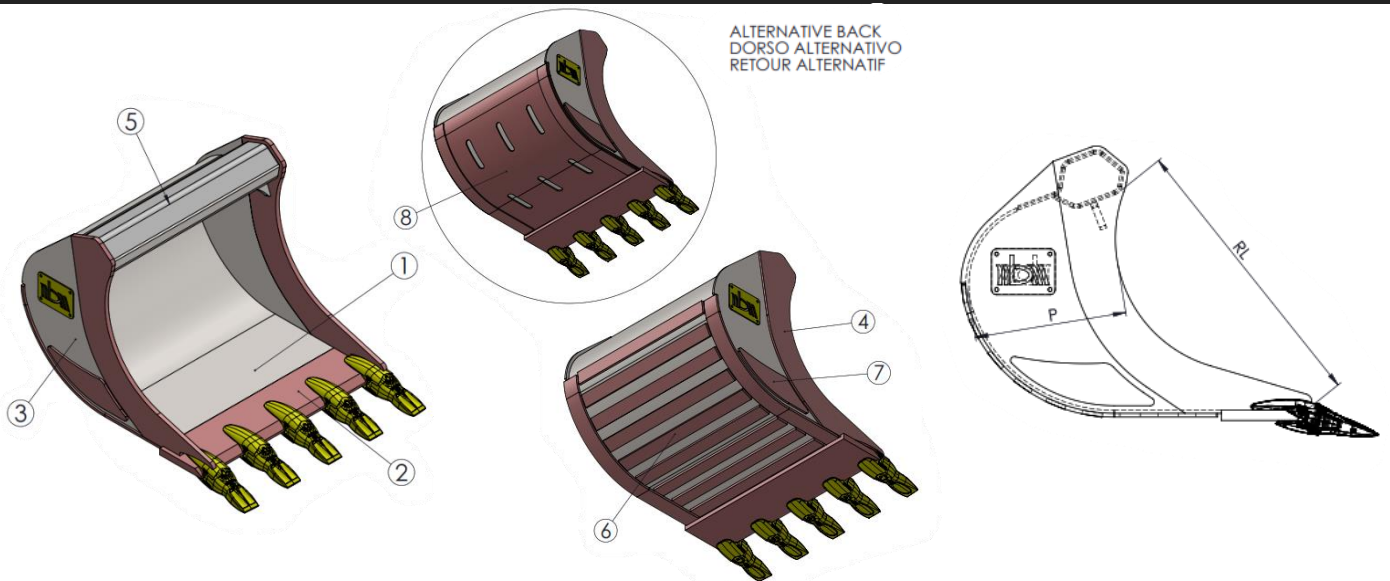
	1	2	3	4	5	6	V	8
■	S355J0	HB400	S355J0	HB400	S355J0	HB400	HB400	HB400
■	12	40	12	30	15	15	15	10
■	CAT J350 - ESCO U40 - FEURST FK7 - COMBI R18							

NB 12 CLASS RK 23,1 - 26 TONS

CODE CODICE	WIDTH (MM) LARGHEZZA (MM)	TEETH NR NR DENTI	MASS (KC) MASSA (KG)	CAP SAE (L) CAP SAE (L)	RL (mm)	P (mm)
NB12RK500	500	3	596	309	1238	590
NB12RK600	600	3	650	404		
NB12RK700	700	3	694	510		
NB12RK800	800	4	818	610		
NB12RK1000	1000	4	906	810		
NB12RK1200	1200	5	995	1023		
NB12H1300	1300	5	1084	1131		

EXCAVATORS - ESCAVATORI - PELLE

ROCK BUCKET - BENNA ROCCIA - GODET ROCHER



■ MATERIAL - MATERIALE - MATÉRIEL
 ■ THICKNESS (MM) - SPESSORE (MM) - ÉPAISSEUR (MM)
 ■ TOOTH - DENTE - DENT

	1	2	3	4	5	6	V	8
■	S355J0	HB400	S355J0	HB400	S355J0	HB400	HB400	HB400
■	12	50	12	35	15	15	15	10
■	CAT J460 - ESCO U40 - FEURST FK9 - COMBI R18							

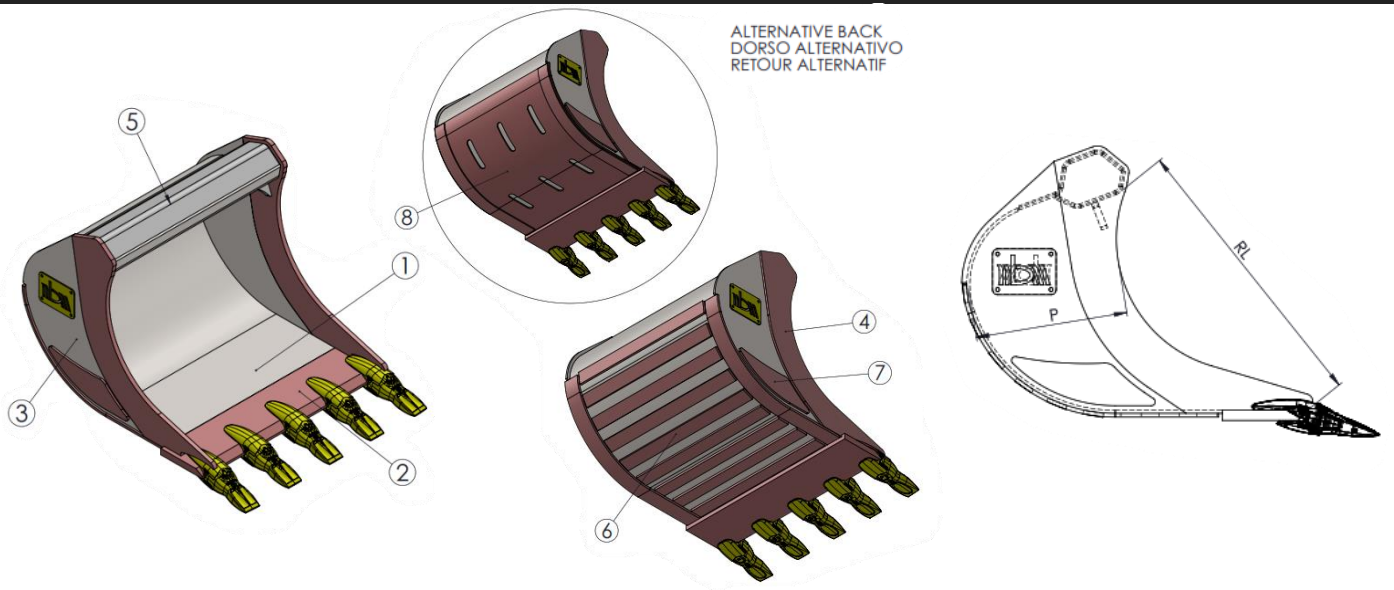
NB 13 CLASS RK

26,1 - 31 TONS

CODE CODICE	WIDTH (MM) LARGHEZZA (MM)	TEETH NR NR DENTI	MASS (KC) MASSA (KG)	CAP SAE (L) CAP SAE (L)	RL (mm)	P (mm)
NB13RK700	700	3	857	626	1273	637
NB13RK800	800	4	1005	782		
NB13RK1000	1000	4	1162	1015		
NB13RK1200	1200	5	1241	1266		
NB13RK1300	1300	5	1381	1393		
NB13RK1400	1400	5	1440	1520		
NB13RK1500	1500	5	1442	1660		
NB13RK1600	1600	6	1501	1800		

EXCAVATORS - ESCAVATORI - PELLE

ROCK BUCKET - BENNA ROCCIA - GODET ROCHER



▣ MATERIAL - MATERIALE - MATÉRIEL
 ▣ THICKNESS (MM) - SPESSORE (MM) - ÉPAISSEUR (MM)
 ▣ TOOTH - DENTE - DENT

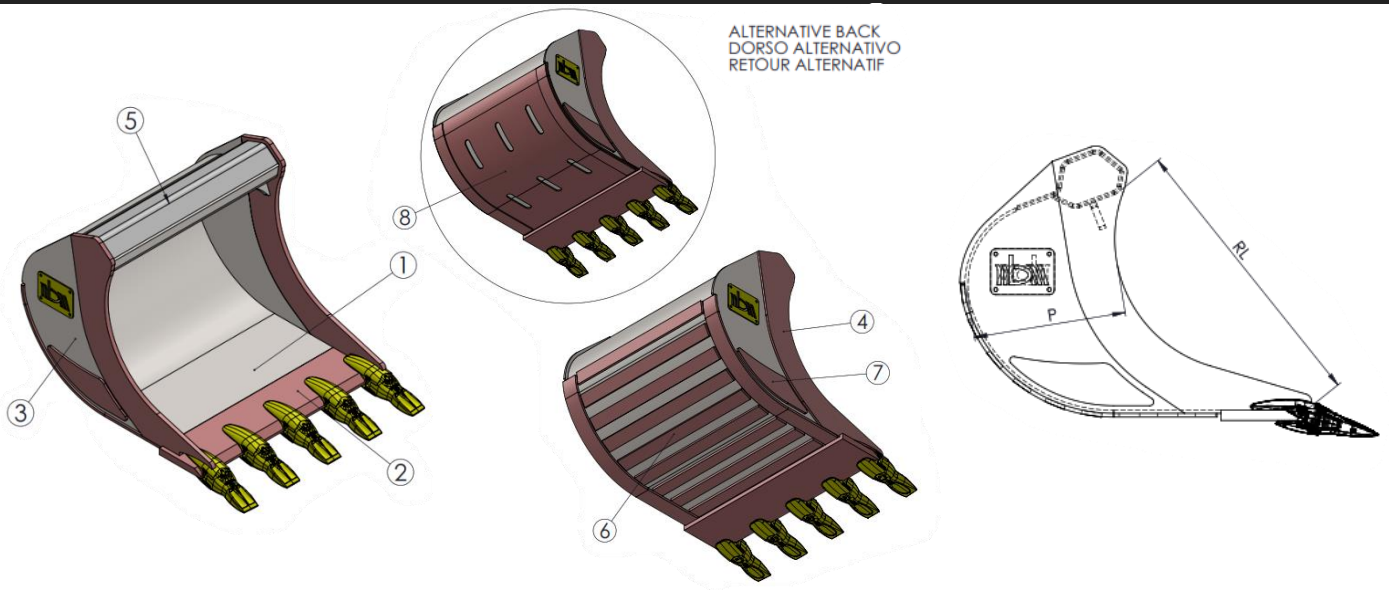
1	2	3	4	5	6	V	8
▣ S355J0	HB400	S355J0	HB400	S355J0	HB400	HB400	HB400
▣ 12	50	12	35	20	20	15	10
▣ CAT J460 - ESCO U45 - FEURST FK9 - COMBI R18							

NB 14 CLASS HR 31,1 - 38 TONS

CODE CODICE	WIDTH (MM) LARGHEZZA (MM)	TEETH NR NR DENTI	MASS (KC) MASSA (KG)	CAP SAE (L) CAP SAE (L)	RL (mm)	P (mm)
NB14HR800	800	3	1108	861	1342	644
NB14HR1000	1000	4	1246	1140		
NB14HR1200	1200	5	1340	1426		
NB14HR1300	1300	5	1387	1570		
NB14HR1400	1400	5	1433	1716		
NB14HR1500	1500	6	1586	1861		

EXCAVATORS - ESCAVATORI - PELLE

ROCK BUCKET - BENNA ROCCIA - GODET ROCHER



▣ MATERIAL - MATERIALE - MATÉRIEL
 ▣ THICKNESS (MM) - SPESSORE (MM) - ÉPAISSEUR (MM)
 ▣ TOOTH - DENTE - DENT

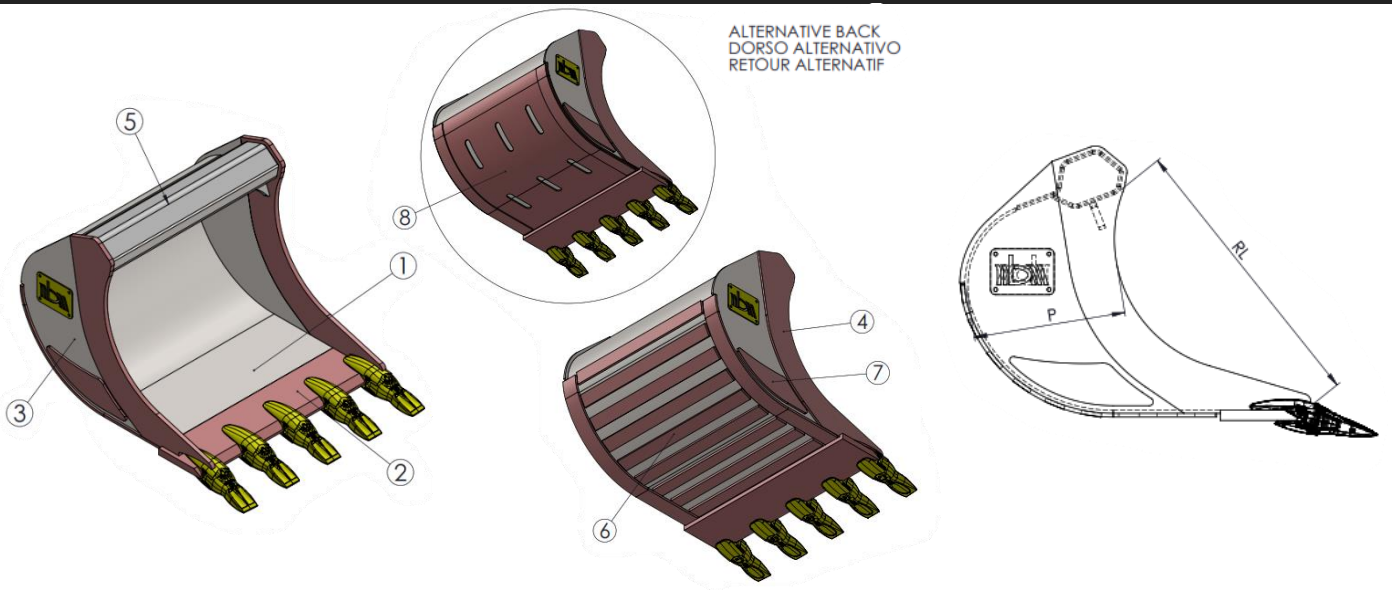
	1	2	3	4	5	6	V	8
▣	S355J0	HB400	S355J0	HB400	S355J0	HB400	HB400	HB400
▣	12	50	12	35	20	20	15	12
▣	CAT J460 - ESCO U45 - FEURST FK9 - COMBI R23							

NB 15 CLASS RK 38,1 - 43 TONS

CODE CODICE	WIDTH (MM) LARGHEZZA (MM)	TEETH NR NR DENTI	MASS (KC) MASSA (KG)	CAP SAE (L) CAP SAE (L)	RL (mm)	P (mm)
NB15RK800	800	3	1113	922	1397	679
NB15RK1000	1000	4	1290	1229		
NB15RK1200	1200	4	1428	1546		
NB15RK1300	1300	5	1566	1707		
NB15RK1400	1400	5	1610	1869		
NB15RK1500	1500	5	1704	2030		

EXCAVATORS - ESCAVATORI - PELLES

ROCK BUCKET - BENNA ROCCIA - GODET ROCHER



▣ MATERIAL - MATERIALE - MATÉRIEL
 ▣ THICKNESS (MM) - SPESSORE (MM) - ÉPAISSEUR (MM)
 ▣ TOOTH - DENTE - DENT

	1	2	3	4	5	6	V	8
▣	HB400	HB400	S355J0	HB400	S355J0	HB400	HB400	HB400
▣	12	60	12	50	20	25	15	12
▣	CAT J550 - ESCO U55 - FEURST FK11 - COMBI R29							

NB 16 CLASS RK 43,1 - 55 TONS

CODE CODICE	WIDTH (MM) LARGHEZZA (MM)	TEETH NR NR DENTI	MASS (KC) MASSA (KG)	CAP SAE (L) CAP SAE (L)	RL (mm)	P (mm)
NB16RK1200	1200	4	2236	1765	1600	812
NB16RK1400	1400	5	2423	2142		
NB16RK1500	1500	5	2541	2333		
NB16RK1700	1700	6	2719	2716		
NB16RK1800	1800	6	2827	2907		
NB16RK2000	2000	6	2994	3290		