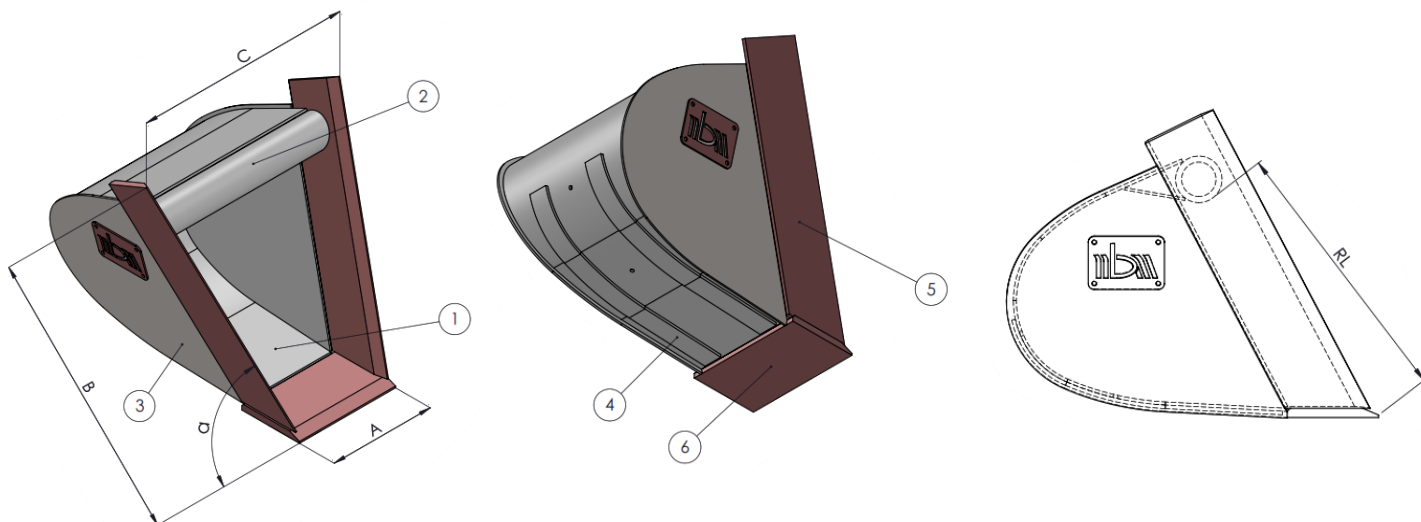


TRAPEZOIDAL BUCKET

BENNA TRAPEZOIDALE - GODET TRAPÈZE



MATERIAL - MATERIALE - MATÉRIEL THICKNESS (MM) - SPESSORE (MM) - ÉPAISSEUR (MM)

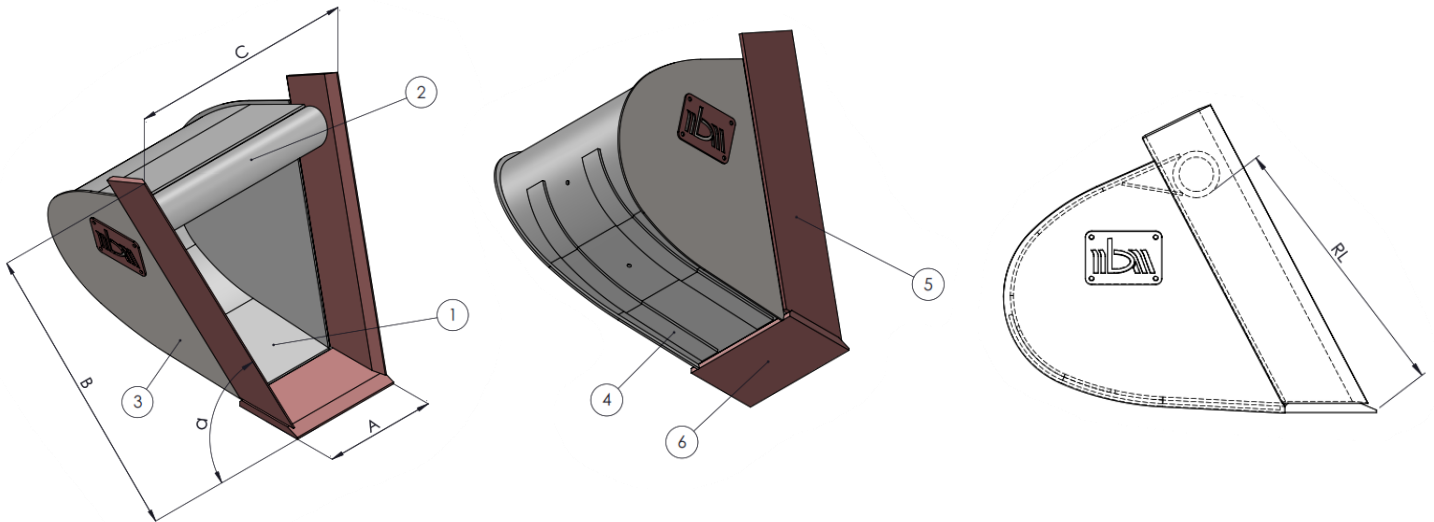
	1	2	3	4	5	6
	S355J0	S355J0	S355J0	HB400	S355J0	HB400
	8	Ø114 X 14	5	200 X 20	50 X 8	200 X 25

NB 08 CLASS TR 10,1 - 12,5 TONS

CODE CODICE	WIDTH A (MM) LARGHEZZA (MM)	ANGLE a ANGOLO a	MASS (KC) MASSA (KG)	CAP SAE (L) CAP SAE (L)	RL (mm)	B (mm)	C (mm)
NB08TR30045	300	45	285	320	755	995	2285
NB08TR30052	300	52	250	290			1855
NB08TR30060	300	60	215	260			1452

EXCAVATORS - ESCAVATORI - PELLE

TRAPEZOIDAL BUCKET - BENNA TRAPEZOIDALE - GODET TRAPÈZE



■ MATERIAL - MATERIALE - MATÉRIEL
 ■ THICKNESS (MM) - SPESSORE (MM) - ÉPAISSEUR (MM)

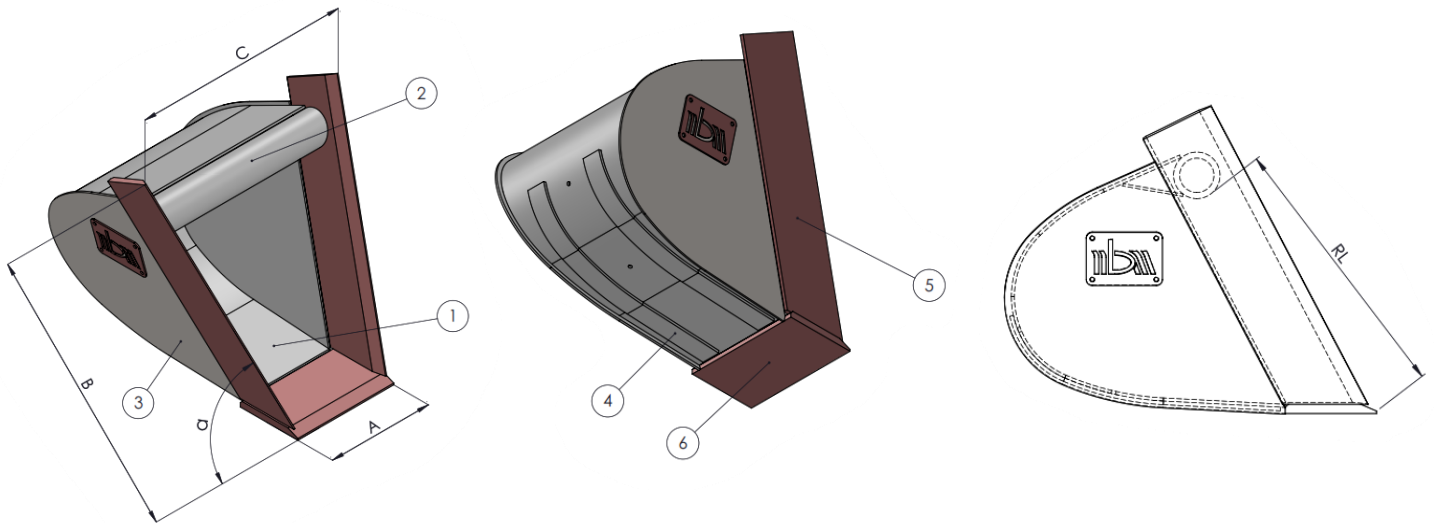
	1	2	3	4	5	6
■	S355J0	S355J0	S355J0	HB400	S355J0	HB400
■	8	Ø114 X 16	6	200 X 20	80 X 12	200 X 25

NB 09-10 CLASS TR 12,6 - 19 TONS

CODE CODICE	WIDTH A (MM) LARGHEZZA (MM)	ANGLE a ANGOLO a	MASS (KC) MASSA (KG)	CAP SAE (L) CAP SAE (L)	RL (mm)	B (mm)	C (mm)
NB09TR40045	400	45	455	575	790	1005	2410
NB09TR40052	400	52	400	510			1910
NB09TR40060	400	60	350	470			1610

EXCAVATORS - ESCAVATORI - PELLE

TRAPEZOIDAL BUCKET - BENNA TRAPEZOIDALE - GODET TRAPÈZE



▣ MATERIAL - MATERIALE - MATÉRIEL
 ▣ THICKNESS (MM) - SPESSORE (MM) - ÉPAISSEUR (MM)

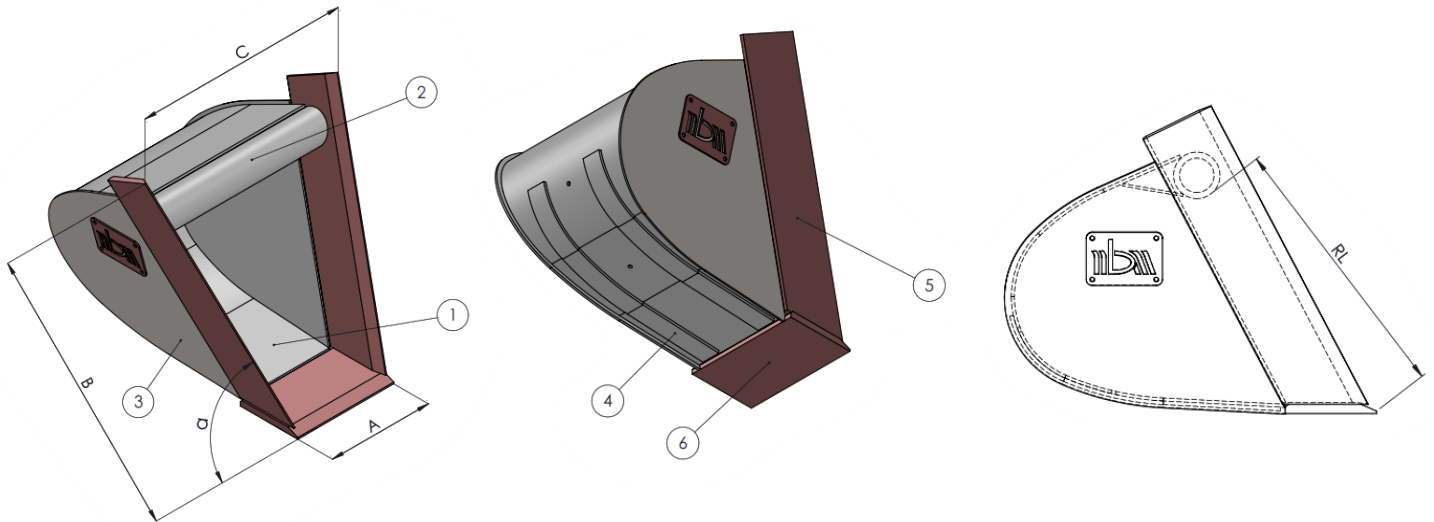
	1	2	3	4	5	6
▣	S355J0	S355J0	S355J0	HB400	S355J0	HB400
▣	10	Ø152 X 20	8	250 X 25	80 X 12	300 X 30

NB 11-12 CLASS TR 19,1 - 26 TONS

CODE CODICE	WIDTH A (MM) LARGHEZZA (MM)	ANGLE a ANGOLO a	MASS (KC) MASSA (KG)	CAP SAE (L) CAP SAE (L)	RL (mm)	B (mm)	C (mm)
NB11TR50039	500	39	650	1000	985	1215	3510
NB11TR50045	500	45	600	880			2910
NB11TR50052	500	52	550	750			2310
NB11TR50060	500	60	520	680			1910

EXCAVATORS - ESCAVATORI - PELLE

TRAPEZOIDAL BUCKET - BENNA TRAPEZOIDALE - GODET TRAPÈZE



▣ MATERIAL - MATERIALE - MATÉRIEL
 ▣ THICKNESS (MM) - SPESSORE (MM) - ÉPAISSEUR (MM)

1	2	3	4	5	6
▣ S355J0	S355J0	S355J0	HB400	S355J0	HB400
▣ 10	Ø152 X 20	8	250 X 25	80 X 12	300 X 30

NB 13-14-15 CLASS TR 26,1 - 43 TONS

CODE CODICE	WIDTH A (MM) LARGHEZZA (MM)	ANGLE a ANGOLO a	MASS (KC) MASSA (KG)	CAP SAE (L) CAP SAE (L)	RL (mm)	B (mm)	C (mm)
NB13TR50039	500	39	850	1600	1255	1505	4260
NB13TR50045	500	45	780	1400			3510
NB13TR50052	500	52	700	1200			2810