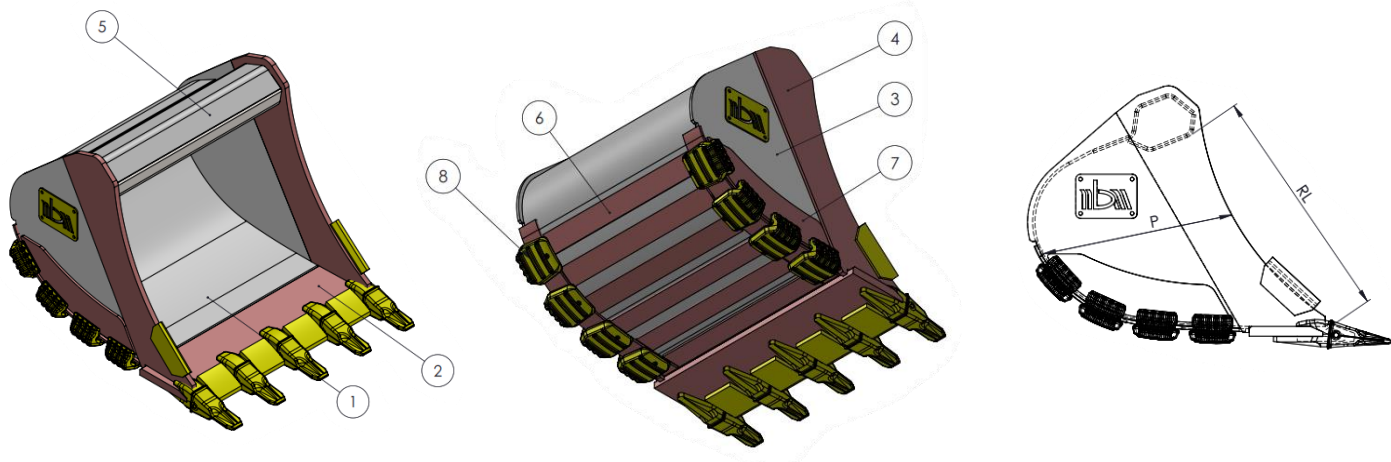


EXTRA HEAVY DUTY BUCKET

BENNA EXTRA RINFORZATA - GODET XHD



MATERIAL - MATERIALE - MATÉRIEL THICKNESS (MM) - SPESSORE (MM) - ÉPAISSEUR (MM) TOOTH - DENTE - DENT

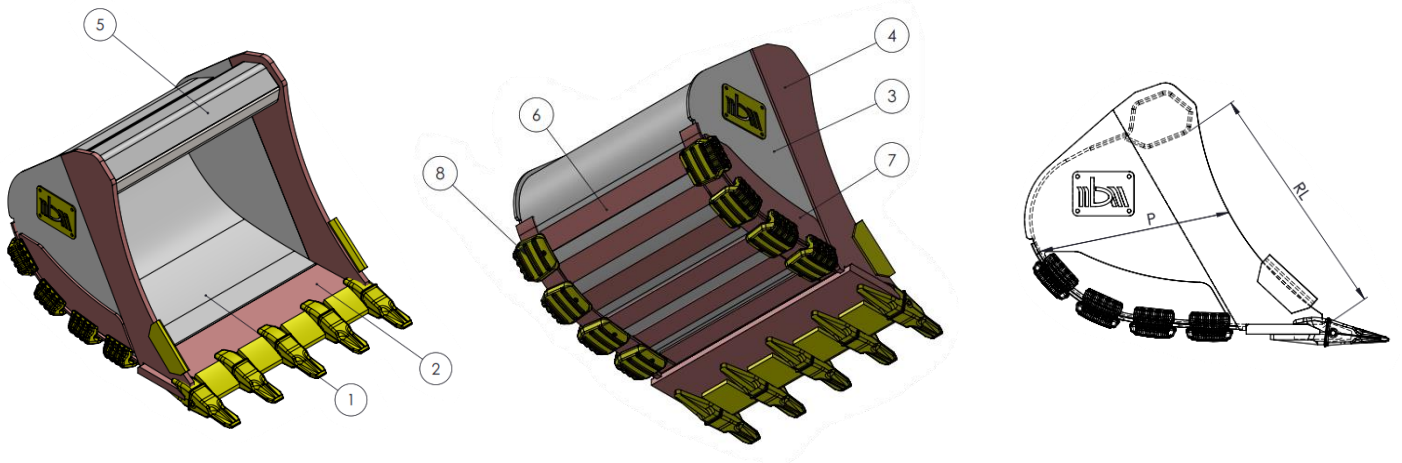
	1	2	3	4	5	6	V	8
	S355J0	HB400	S355J0	HB400	S355J0	HB400	HB400	N BEM
	10	40	12	25	15	15	12	CAST
	CAT J350 - ESCO U35 - FEURST FK5 - COMBI R18							

NB 11 CLASS XHD 19,1 - 23 TONS

CODE CODICE	WIDTH (MM) LARGHEZZA (MM)	TEETH NR NR DENTI	MASS (KC) MASSA (KG)	CAP SAE (L) CAP SAE (L)	RL (mm)	P (mm)
NB11XHD1000	1000	4	879	704	965	780
NB11XHD1200	1200	5	981	882		
NB11XHD1300	1300	5	1025	971		

EXCAVATORS - ESCAVATORI - PELLE

EXTRA HEAVY DUTY BUCKET - BENNA EXTRA RINFORZATA - GODET XHD



■ MATERIAL - MATERIALE - MATÉRIEL
 ■ THICKNESS (MM) - SPESSORE (MM) - ÉPAISSEUR (MM)
 ■ TOOTH - DENTE - DENT

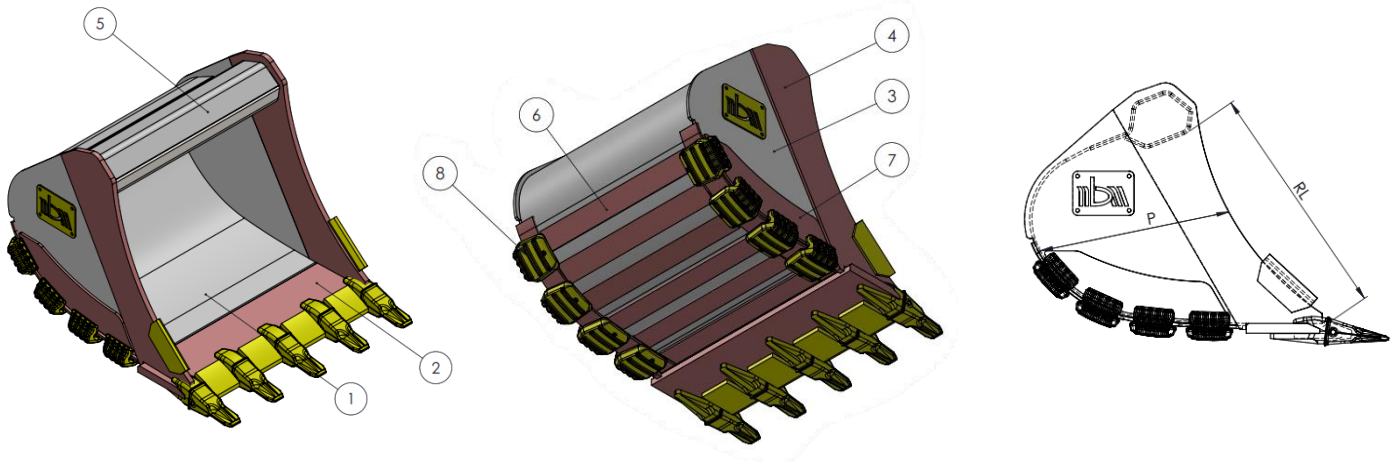
	1	2	3	4	5	6	V	8
■	S355J0	HB400	S355J0	HB400	S355J0	HB400	HB400	N BEM
■	10	40	12	30	15	15	15	CAST
■	CAT J350 - ESCO U40 - FEURST FK7 - COMBI R18							

NB 12 CLASS XHD 23,1 - 26 TONST

CODE CODICE	WIDTH (MM) LARGHEZZA (MM)	TEETH NR NR DENTI	MASS (KC) MASSA (KG)	CAP SAE (L) CAP SAE (L)	RL (mm)	P (mm)
NB12XHD1000	1000	4	965	810	1110	880
NB12XHD1200	1200	5	1070	1023		
NB12XHD1300	1300	5	1107	1131		

EXCAVATORS - ESCAVATORI - PELLE

EXTRA HEAVY DUTY BUCKET - BENNA EXTRA RINFORZATA - GODET XHD



■ MATERIAL - MATERIALE - MATÉRIEL
 ■ THICKNESS (MM) - SPESSORE (MM) - ÉPAISSEUR (MM)
 ■ TOOTH - DENTE - DENT

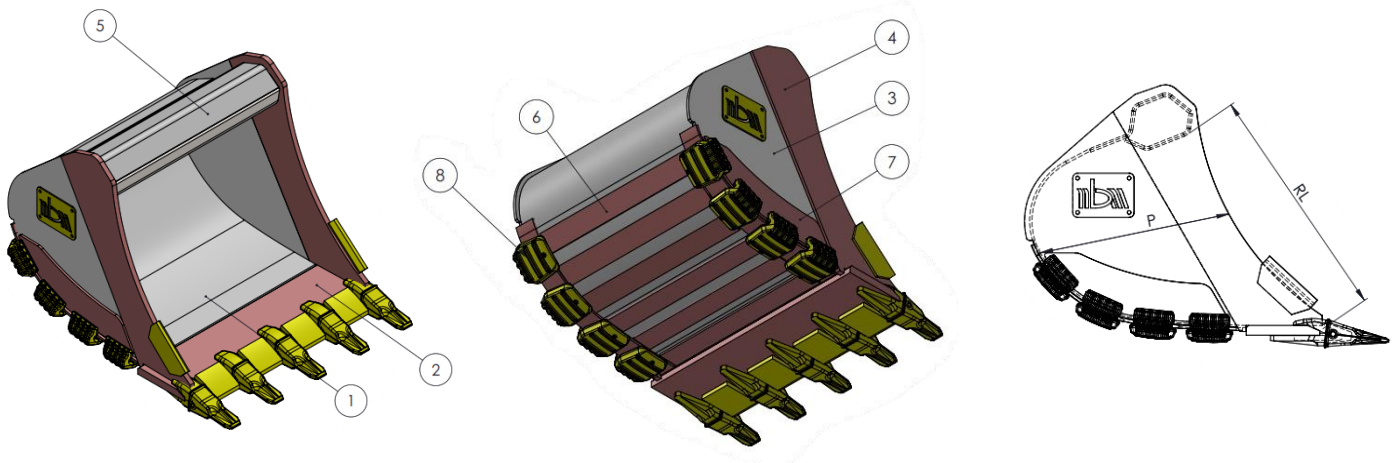
	1	2	3	4	5	6	V	8
■	S355J0	HB400	S355J0	HB400	S355J0	HB400	HB400	N BEM
■	12	40	12	35	15	15	15	CAST
■	CAT J350 - ESCO U40 - FEURST FK7 - COMBI R23							

NB 13 CLASS XHD 26,1 - 31 TONS

CODE CODICE	WIDTH (MM) LARGHEZZA (MM)	TEETH NR NR DENTI	MASS (KC) MASSA (KG)	CAP SAE (L) CAP SAE (L)	RL (mm)	P (mm)
NB13XHD1000	1000	4	1225	1015	1170	895
NB13XHD1200	1200	5	1390	1266		
NB13XHD1300	1300	5	1470	1393		
NB13XHD1500	1500	6	2000	1660		

EXCAVATORS - ESCAVATORI - PELLE

EXTRA HEAVY DUTY BUCKET - BENNA EXTRA RINFORZATA - GODET XHD



■ MATERIAL - MATERIALE - MATÉRIEL
 ■ THICKNESS (MM) - SPESSORE (MM) - ÉPAISSEUR (MM)
 ■ TOOTH - DENTE - DENT

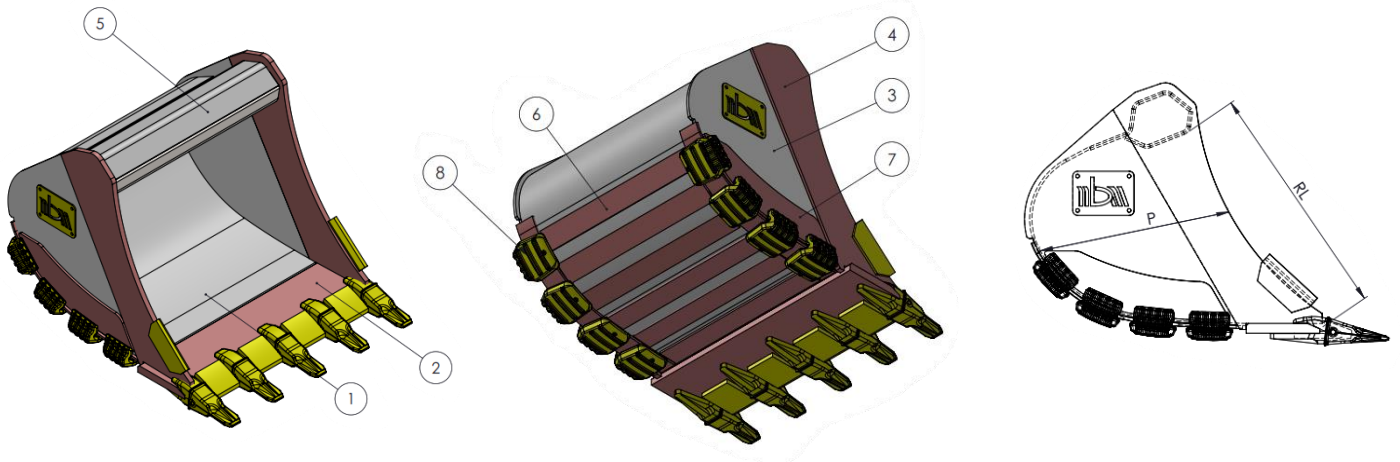
1	2	3	4	5	6	V	8
■ S355J0	HB400	S355J0	HB400	S355J0	HB400	HB400	N BEM
■ 12	50	12	35	20	20	15	CAST
■ CAT J460 - ESCO U45 - FEURST FK9 - COMBI R29							

NB 14 CLASS XHD 31,1 - 38 TONS

CODE CODICE	WIDTH (MM) LARGHEZZA (MM)	TEETH NR NR DENTI	MASS (KC) MASSA (KG)	CAP SAE (L) CAP SAE (L)	RL (mm)	P (mm)
NB14XHD1000	1000	4	1481	1140	1220	960
NB14XHD1200	1200	5	1597	1426		
NB14XHD1350	1350	5	1682	1655		
NB14XHD1500	1500	6	1820	1861		

EXCAVATORS - ESCAVATORI - PELLE

EXTRA HEAVY DUTY BUCKET - BENNA EXTRA RINFORZATA - GODET XHD



🔲 MATERIAL - MATERIALE - MATÉRIEL
 📏 THICKNESS (MM) - SPESSORE (MM) - ÉPAISSEUR (MM)
 🦷 TOOTH - DENTE - DENT

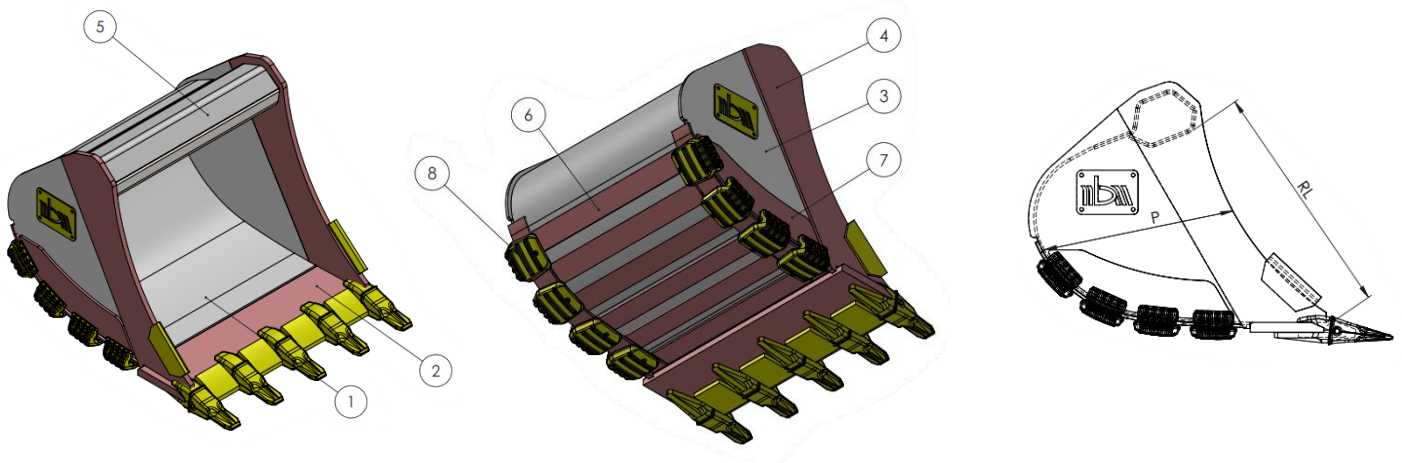
	1	2	3	4	5	6	V	8
🔲	S355J0	HB400	S355J0	HB400	S355J0	HB400	HB400	N BEM
📏	12	50	12	35	20	20	15	CAST
🚧	CAT J460 - ESCO U45 - FEURST FK9 - COMBI R29							

NB 15 CLASS XHD 38,1 - 43 TONS

CODE CODICE	WIDTH (MM) LARGHEZZA (MM)	TEETH NR NR DENTI	MASS (KC) MASSA (KG)	CAP SAE (L) CAP SAE (L)	RL (mm)	P (mm)
NB15XHD1000	1000	4	1571	1229	1325	1020
NB15XHD1200	1200	4	1689	1546		
NB15XHD1300	1300	5	1788	1707		
NB15XHD1400	1400	5	1820	1869		
NB15XHD1500	1500	5	1919	2030		
NB15XHD1600	1600	5	2009	2192		
NB15XHD1800	1800	6	2143	2516		

EXCAVATORS - ESCAVATORI - PELLE

EXTRA HEAVY DUTY BUCKET - BENNA EXTRA RINFORZATA - GODET XHD



■ MATERIAL - MATERIALE - MATÉRIEL
 ■ THICKNESS (MM) - SPESSORE (MM) - ÉPAISSEUR (MM)
 ■ TOOTH - DENTE - DENT

	1	2	3	4	5	6	V	8
■	HB400	HB400	S355J0	HB400	S355J0	HB400	HB400	N BEM
■	12	60	12	50	20	25	15	CAST
■	CAT J550 - ESCO U55 - FEURST FK11 - COMBI R29							

NB 16 CLASS XHD 43,1 - 55 TONS

CODE CODICE	WIDTH (MM) LARGHEZZA (MM)	TEETH NR NR DENTI	MASS (KC) MASSA (KG)	CAP SAE (L) CAP SAE (L)	RL (mm)	P (mm)
NB16XHD1400	1400	4	2594	2142	1430	1130
NB16XHD1500	1500	5	2675	2333		
NB16XHD1700	1700	5	2905	2716		
NB16XHD1800	1800	5	2987	2907		
NB16XHD2000	2000	6	3216	3290		