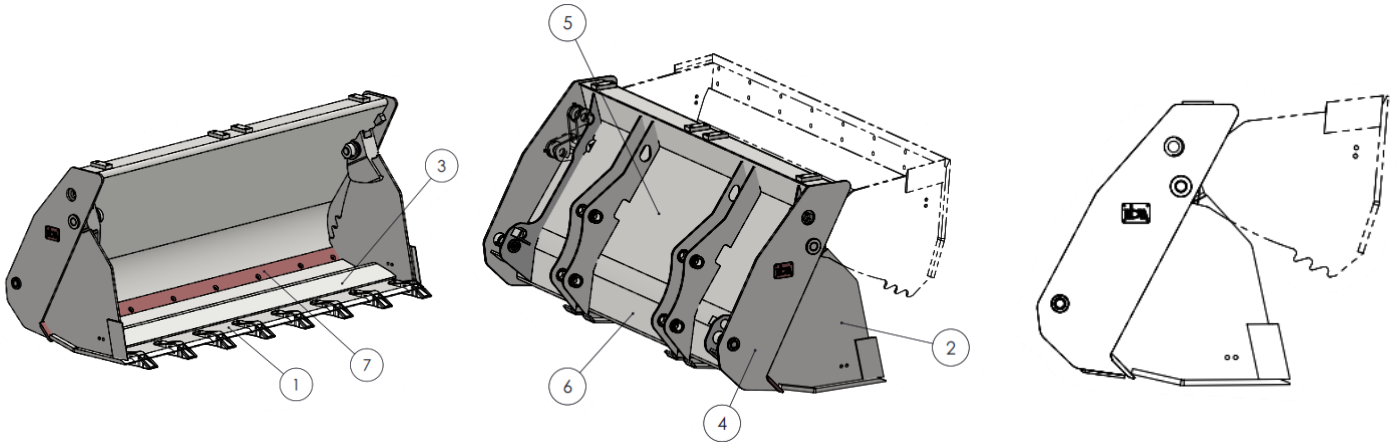


HYDRAULIC MULTIFUNCTIONAL BUCKET 4 IN 1

BENNA IDRAULICA MULTIFUNZIONE 4 IN 1 - GODET HYDRAULIQUE MULTIFONCTION 4 EN 1



■ MATERIAL - MATERIALE - MATÉRIEL
 ■ THICKNESS (MM) - SPESSORE (MM) - ÉPAISSEUR (MM)

	1	2	3	4	5	6	V
■	S355J0	S355J0	S355J0	S355J0	S355J0	S355J0	HB250
■	20	12	10	12	6	6	15

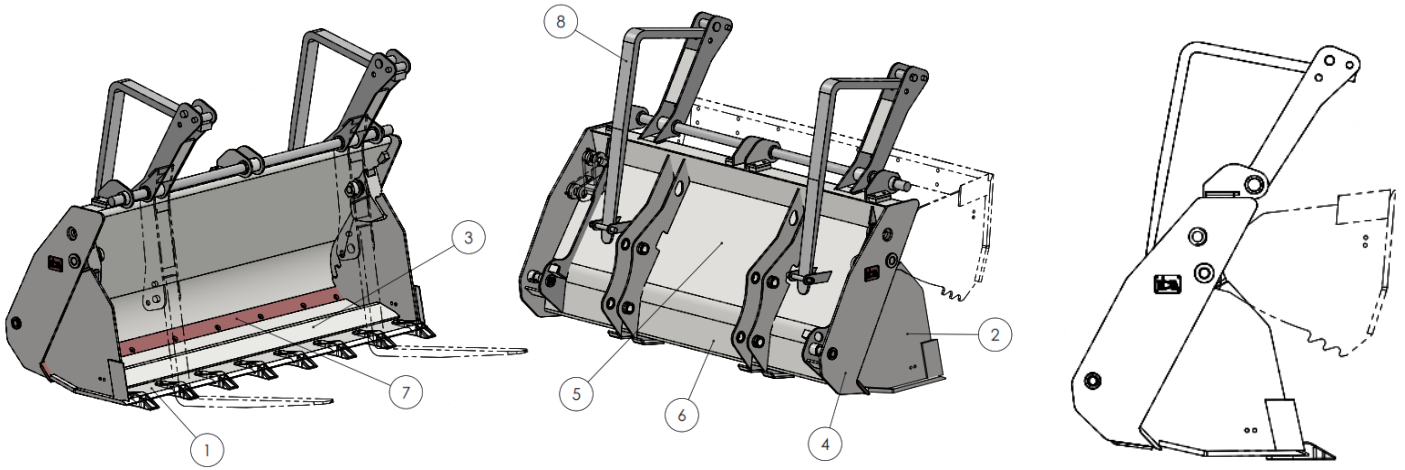
NB 25 CLASS 0-10 TONS

CODE CODICE	WIDTH (MM) LARGHEZZA (MM)	MASS (KC) MASSA (KG)	CAP SAE (L) CAP SAE (L)	OPTIONALS OPZIONALI
NB25W401	2250	740	1.00	Fork teeth
NB25W402	2250	750	1.00	Welded adapters
NB25W403	2250	790	1.00	Bolted blade
NB25W404	2400	780	1.15	Fork teeth
NB25W405	2400	790	1.15	Welded adapters
NB25W406	2400	825	1.15	Bolted blade

BACKHOE LOADERS

HYDRAULIC MULTIFUNCTIONAL BUCKET 6 IN 1

BENNA IDRAULICA MULTIFUNZIONE 6 IN 1 - GODET HYDRAULIQUE MULTIFONCTION 6 EN 1



▣ MATERIAL - MATERIALE - MATÉRIEL
 ▣ THICKNESS (MM) - SPESSORE (MM) - ÉPAISSEUR (MM)

	1	2	3	4	5	6	V	8
▣	S355J0	S355J0	S355J0	S355J0	S355J0	S355J0	HB250	HB450
▣	20	12	10	12	6	6	15	40

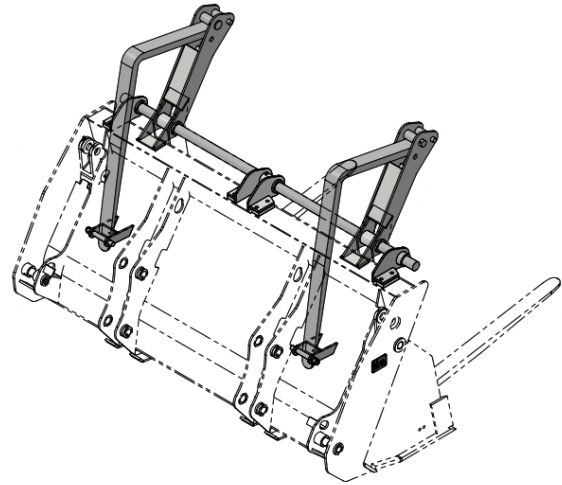
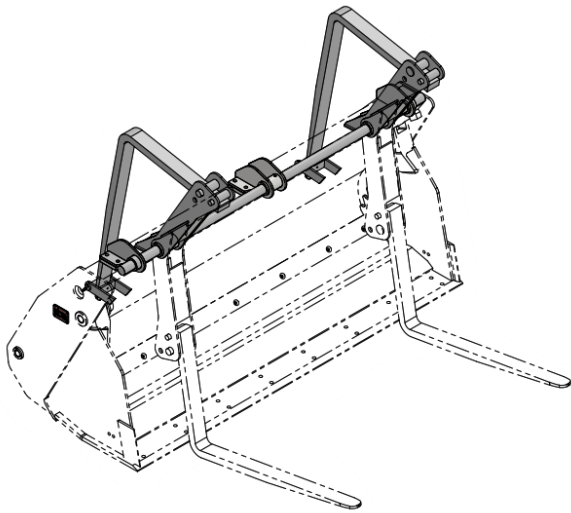
NB 26 CLASS 0-10 TONS

CODE CODICE	WIDTH (MM) LARGHEZZA (MM)	MASS (KC) MASSA (KG)	CAP SAE (L) CAP SAE (L)	OPTIONALS OPZIONALI
NB26W601	2250	740	1.00	Fork teeth
NB26W602	2250	750	1.00	Welded adapters
NB26W603	2250	790	1.00	Bolted blade
NB26W604	2400	780	1.15	Fork teeth
NB26W605	2400	790	1.15	Welded adapters
NB26W606	2400	825	1.15	Bolted blade

BACKHOE LOADERS

CONVERSION KIT 4 IN 1 TO 6 IN 1

KIT DI CONVERSIONE DA 4 IN 1 A 6 IN 1 - KIT DE CONVERSION DA 4 EN 1 ET 6 EN 1



CODE CODICE	WIDTH (MM) LARGHEZZA (MM)	MASS (KC) MASSA (KG)
NB25W500	2250	160
NB25W501	2400	160