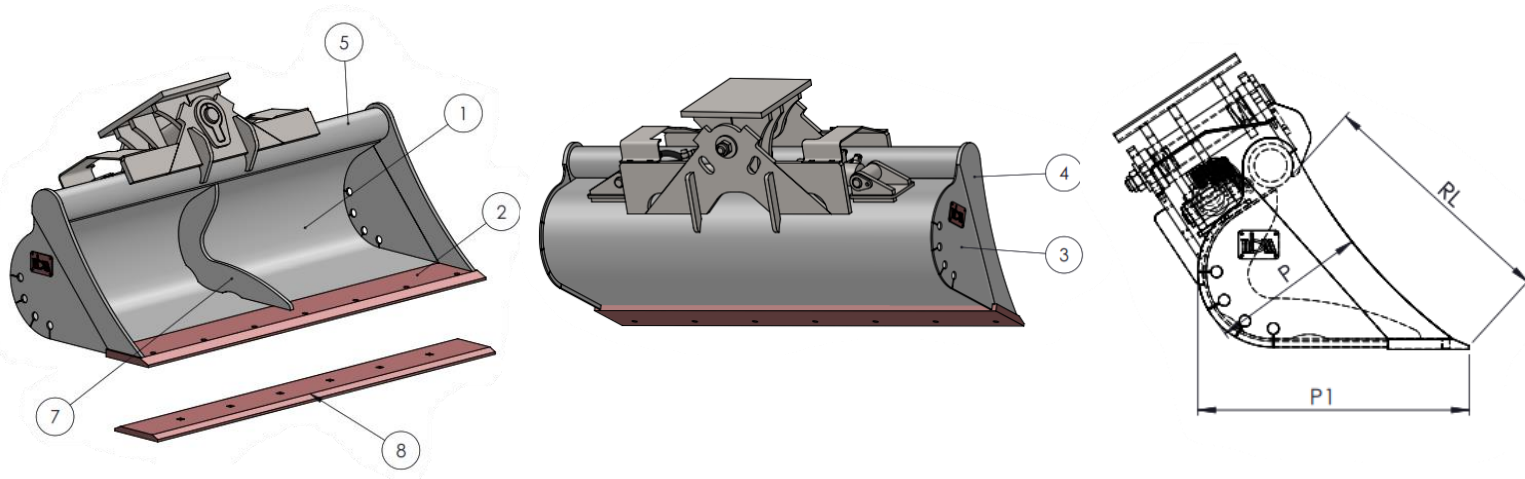


TILTING BUCKET

BENNA ORIENTABILE - GODET INCLINABLE



MATERIAL - MATERIALE - MATÉRIEL THICKNESS (MM) - SPESSORE (MM) - ÉPAISSEUR (MM)

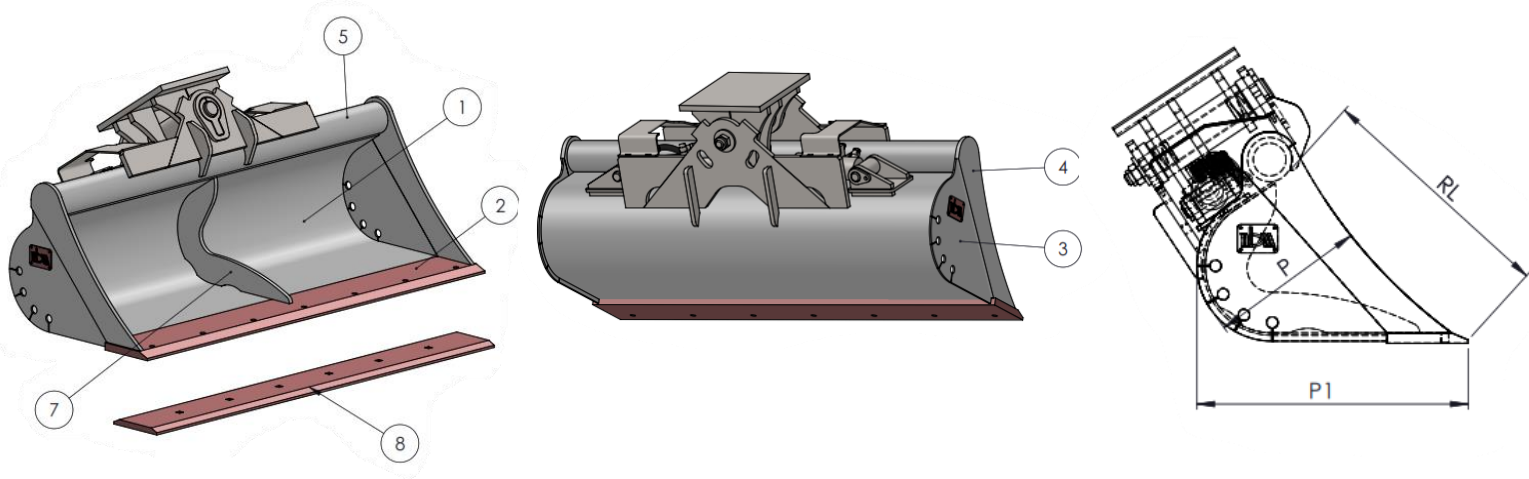
	1	2	3	4	5	6	V	8 - OPTION
	S355J0	EN250	S355J0	S355J0	S355J0	-	S355J0	HB400
	6	25	6	15	Ø108X14	-	15	203X19

NB 08 CLASS OR 7 - 12,5 TONS

CODE CODICE	WIDTH (MM) LARGHEZZA (MM)	MASS (KC) MASSA (KG)	CAP SAE (L) CAP SAE (L)	RL (mm)	P (mm)	P1 (mm)
NB08OR1200	1200	363	264	607	386	669
NB08OR1400	1400	374	310			
NB08OR1500	1500	385	333			
NB08OR1600	1600	396	356			
NB08OR1800	1800	407	402			

EXCAVATORS - ESCAVATORI - PELLE

TILTING BUCKET - BENNA ORIENTABILE - GODET INCLINABLE



MATERIAL - MATERIALE - MATÉRIEL THICKNESS (MM) - SPESSORE (MM) - ÉPAISSEUR (MM)

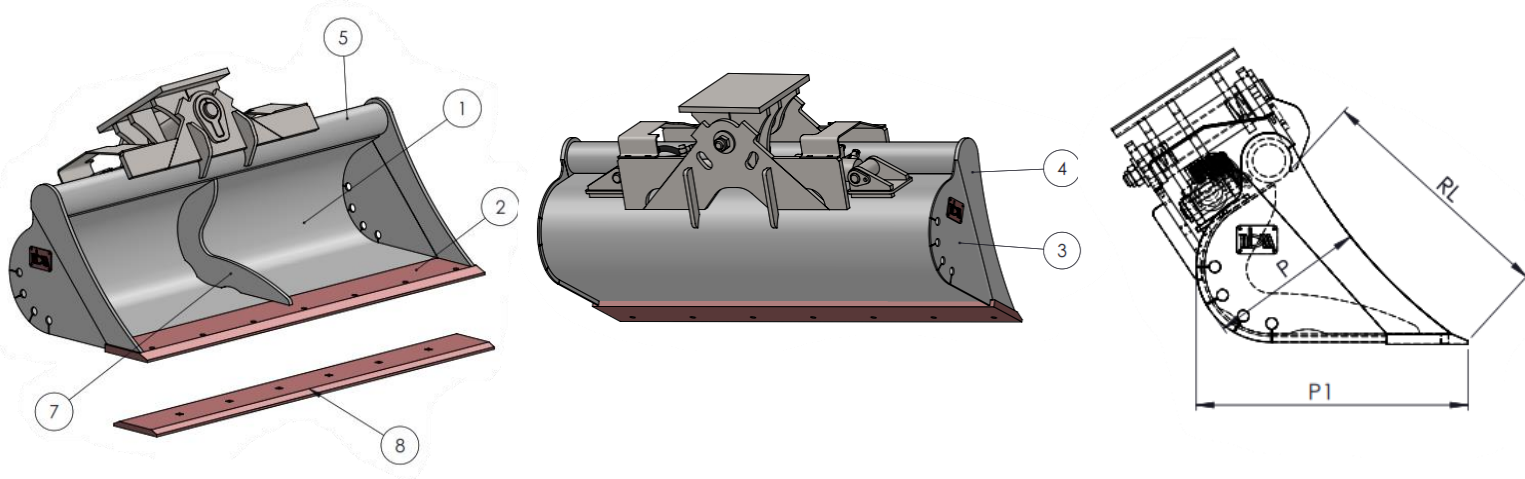
	1	2	3	4	5	6	V	8 - OPTION
	S355J0	HB400	S355J0	S355J0	S355J0	-	S355J0	HB400
	8	25	8	20	Ø127X16	-	20	203X19

NB 10 CLASS OR 12,6 - 19 TONS

CODE CODICE	WIDTH (MM) LARGHEZZA (MM)	MASS (KC) MASSA (KG)	CAP SAE (L) CAP SAE (L)	RL (mm)	P (mm)	P1 (mm)
NB10OR1500	1500	638	456	700	480	760
NB10OR1800	1800	678	580			
NB10OR2000	2000	710	614			
NB10OR2200	2200	756	678			
NB10OR2400	2400	802	741			

EXCAVATORS - ESCAVATORI - PELLE

TILTING BUCKET - BENNA ORIENTABILE - GODET INCLINABLE



▣ MATERIAL - MATERIALE - MATÉRIEL
 ▣ THICKNESS (MM) - SPESSORE (MM) - ÉPAISSEUR (MM)

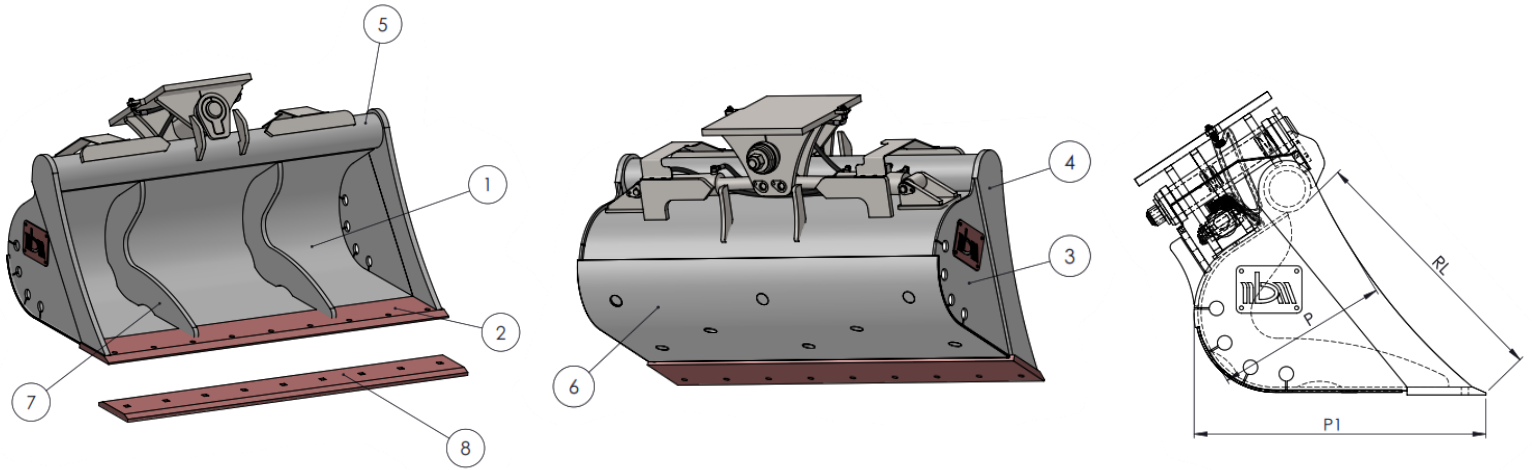
	1	2	3	4	5	6	V	8 - OPTION
▣	S355J0	HB400	S355J0	S355J0	S355J0	-	S355J0	HB400
▣	10	25	8	25	Ø127X16	-	25	254X25

NB 12 CLASS OR 19,1 - 26 TONS

CODE CODICE	WIDTH (MM) LARGHEZZA (MM)	MASS (KC) MASSA (KG)	CAP SAE (L) CAP SAE (L)	RL (mm)	P (mm)	P1 (mm)
NB12OR1800	1800	845	678	760	500	813
NB12OR2000	2000	893	756			
NB12OR2200	2200	965	834			
NB12OR2400	2400	1015	913			
NB12OR2500	2500	1045	952			

EXCAVATORS - ESCAVATORI - PELLE

TILTING BUCKET - BENNA ORIENTABILE - GODET INCLINABLE



MATERIAL - MATERIALE - MATÉRIEL **THICKNESS (MM)** - SPESSORE (MM) - ÉPAISSEUR (MM)

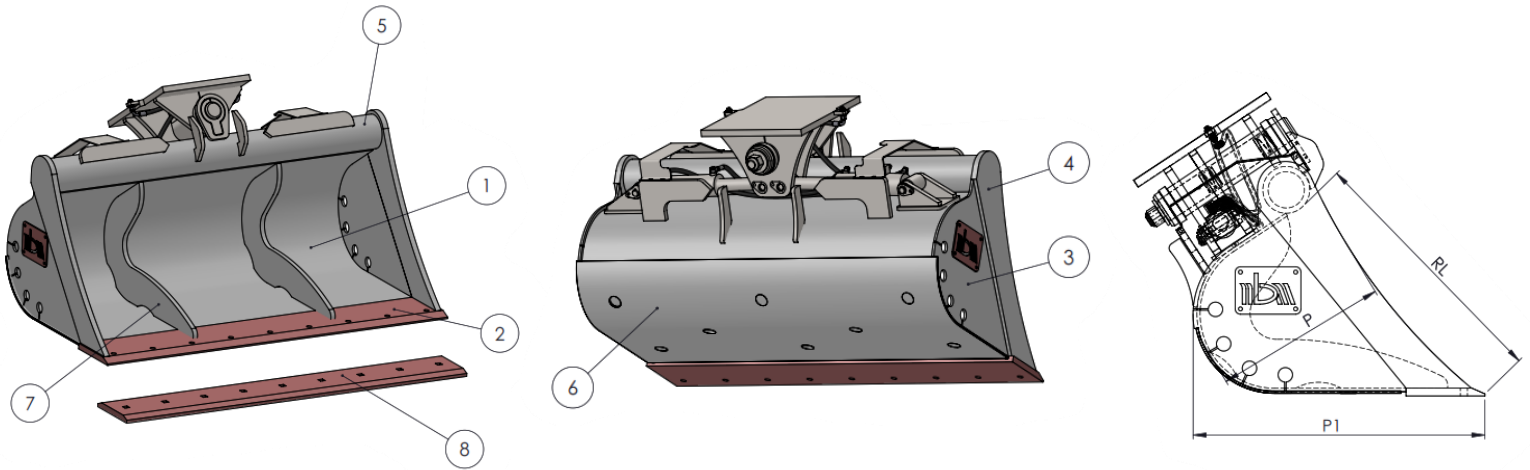
	1	2	3	4	5	6	V	8 - OPTION
MATERIAL	S355J0	HB400	S355J0	S355J0	S355J0	S355J0	S355J0	HB400
THICKNESS (MM)	12	30	12	25	Ø178X20	8	25	254X25

NB 13 CLASS OR 26,1 - 31 TONS

CODE CODICE	WIDTH (MM) LARGHEZZA (MM)	MASS (KC) MASSA (KG)	CAP SAE (L) CAP SAE (L)	RL (mm)	P (mm)	P1 (mm)
NB13OR1800	1800	1141	1130	980	640	1039
NB13OR2000	2000	1237	1258			
NB13OR2200	2200	1336	1387			
NB13OR2400	2400	1398	1515			
NB13OR2500	2500	1431	1579			

EXCAVATORS - ESCAVATORI - PELLE

TILTING BUCKET - BENNA ORIENTABILE - GODET INCLINABLE



▣ MATERIAL - MATERIALE - MATÉRIEL
 ▣ THICKNESS (MM) - SPESSORE (MM) - ÉPAISSEUR (MM)

	1	2	3	4	5	6	V	8 - OPTION
▣	S355J0	HB400	S355J0	S355J0	S355J0	S355J0	S355J0	HB400
▣	12	30	12	30	Ø178X20	8	25	254X25

NB 14 CLASS OR 31,1 - 38 TONS

CODE CODICE	WIDTH (MM) LARGHEZZA (MM)	MASS (KC) MASSA (KG)	CAP SAE (L) CAP SAE (L)	RL (mm)	P (mm)	P1 (mm)
NB14OR1800	1800	1255	1186	990	660	1110
NB14OR2000	2000	1351	1324			
NB14OR2200	2200	1450	1462			
NB14OR2400	2400	1512	1600			
NB14OR2500	2500	1545	1668			